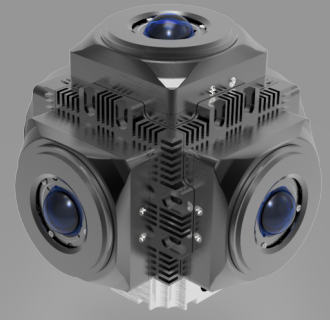
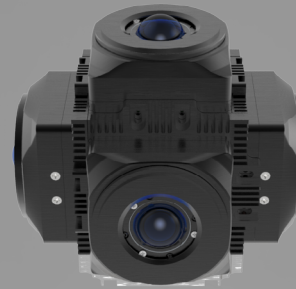
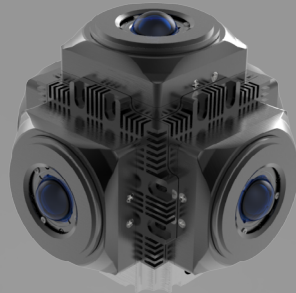


PANORAMIC CAMERA

COMPACT HIGH-SPEED CAMERAS



PANORAMIC CAMERA SYSTEM

Also derived from the DARPA SCENICC program, the Distant Focus Panoramic Imager uses the same lens and sensor technology and repackages it into a compact optical head of five sensors that allow high-resolution panoramic imaging with a full panorama collected as close as 0.5 meters from the central axis. This optical head is connected to a controller module that can be up to 50 feet away. The controller electronics and computers provide a web-based interface that allows a user to configure and control the camera system. The servers also provide storage space for the video data and processing power for turning the raw frames into color-corrected and stitched video.

The Panoramic Camera provides unparalleled situational awareness for fixed installation applications, and has also been used as a mobile camera platform to take videos while on the move. Due to its small size and high resolution, this system enables capturing high-resolution panoramic videos close to the action in a way that has never-before been possible.

MORE FEATURES

- Color or monochrome 25MP sensor with 4.5um pixels.
- Dynamic range: 10-bits
- Frame rate: 54 FPS
- Arria V FPGA supports real time image processing
- PCIe interface supports full resolution and frame rate
- Camera head power: 35W
- Camera head size: 133x133x112
- Camera head weight: 1.75kg
- FOV: 360° horizontal, 280° vertical



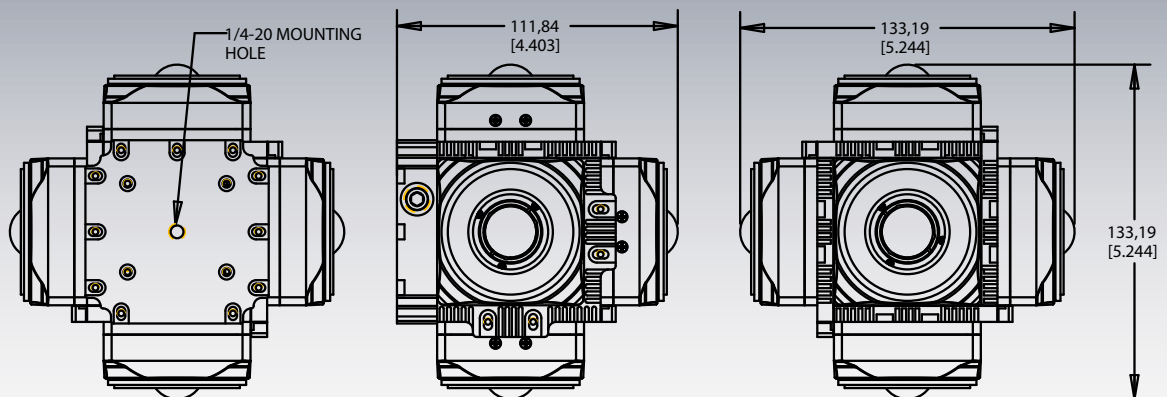
**Distant Focus
Corporation**

System Specifications

Resolution	125 MPixels (raw), 100 Mpixels (effective)
Output Format	Raw bayer DNG, Cinema DNG archive, JPEG
Camera Control	HTTP API, preview web page
Camera updates	Field upgradable via maintenance web page
Data Interface	16 Gbps via PCIe4 (1 server and cable per aperture)
Frame Rate	24 FPS @ 25 MP
Processing	bad pixel correction
Power	125 W @ 12 V (sensors and electronics)
Temperature	0-25 C without additional cooling
Server OS	Debian 8.2, 64-bit
Browsers	Chrome (Recommended), Firefox, Safari
Size	133 X 133 X 112 mm

Sensor Specifications

Pixel Array	125 MPixels (raw), 100 Mpixels (effective)
Bitdepth	10-bit
Frame Rate	53 FPS @ 25 MP
Shutter	Pipelined global shutter, electronic rolling shutter
Exposure	1 us to 500 ms, triggered start/stop
Gain	up to 32 dB digital gain, 10x analog gain
Black Level Correction	Automatic, manual
Sensor SNR	43 dB
Dynamic Range	56 dB (global shutter), 59dB (rolling shutter)
Resolution Modes	Region of interest, subsampling (rolling shutter only)
Processing	Fixed pattern noise correction, black level calibration, correlated double sampling (rolling shutter only)



Distant Focus Corporation

For more information visit:
www.distantfocus.com
 For pricing information:
info@distantfocus.com

4114B Fieldstone Road
 Champaign, IL 61822
 217-351-2655